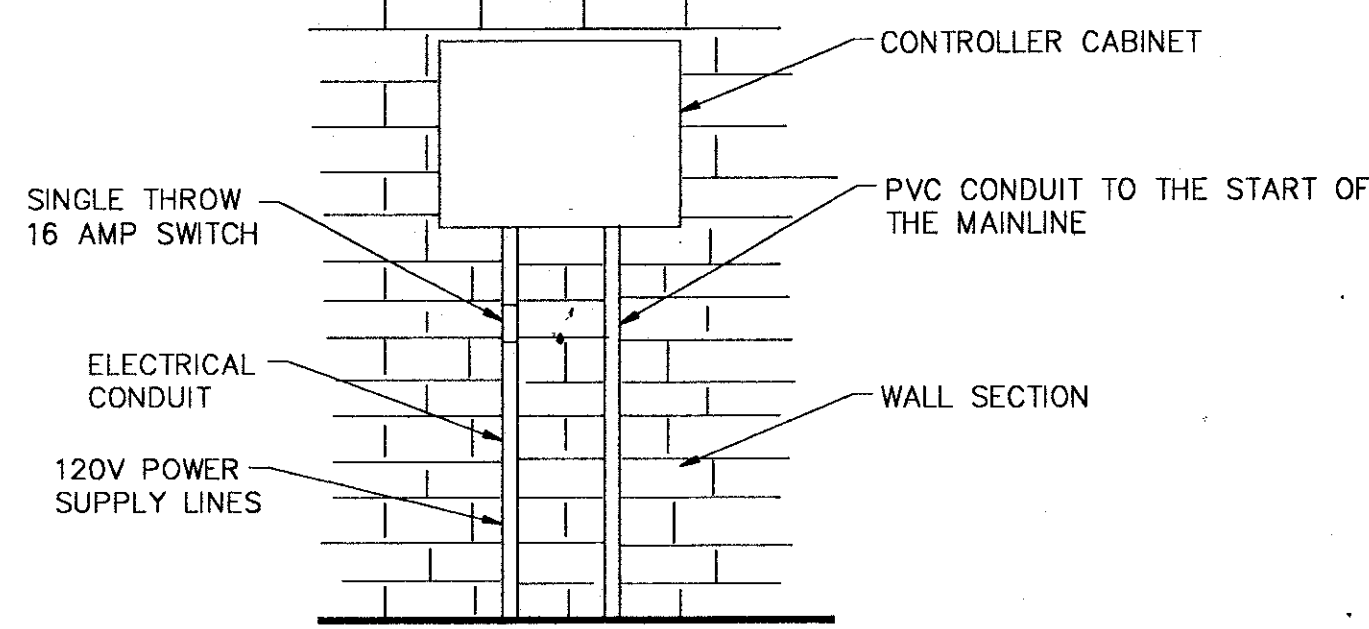


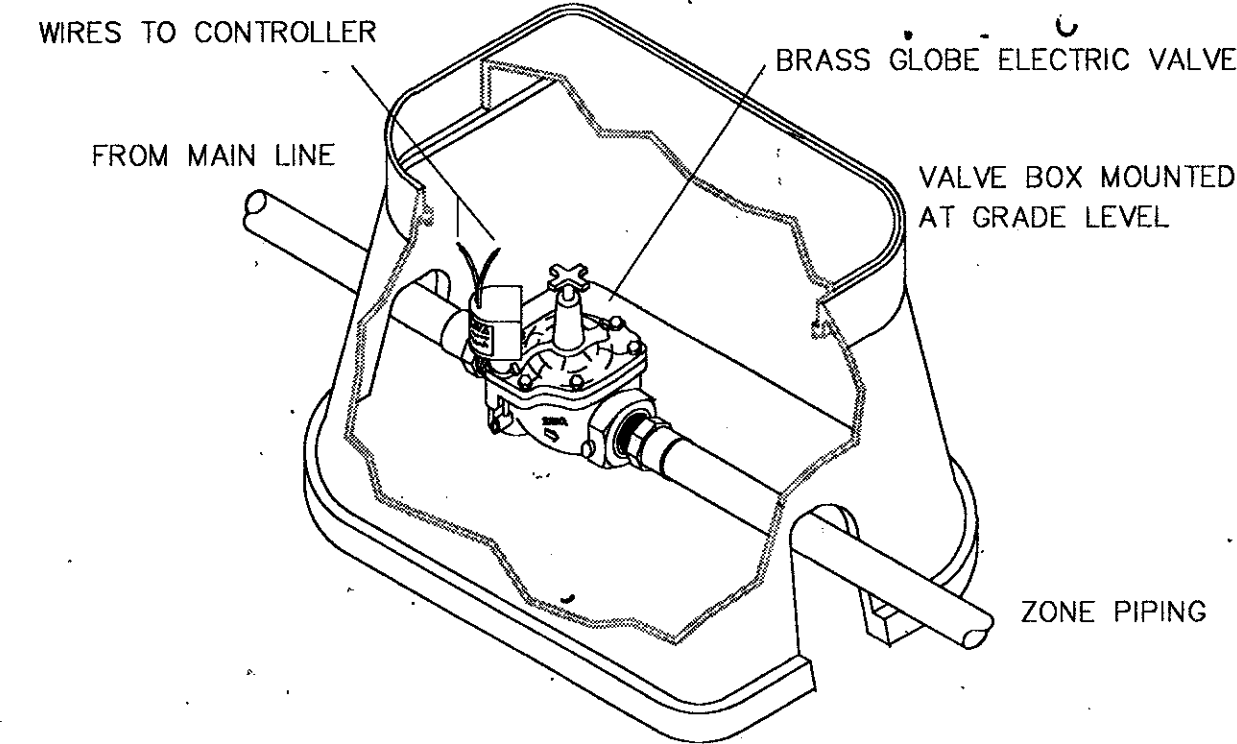
# JUPITER NORTH

FOR  
LANDCLIFFE DEVELOPMENT CO.

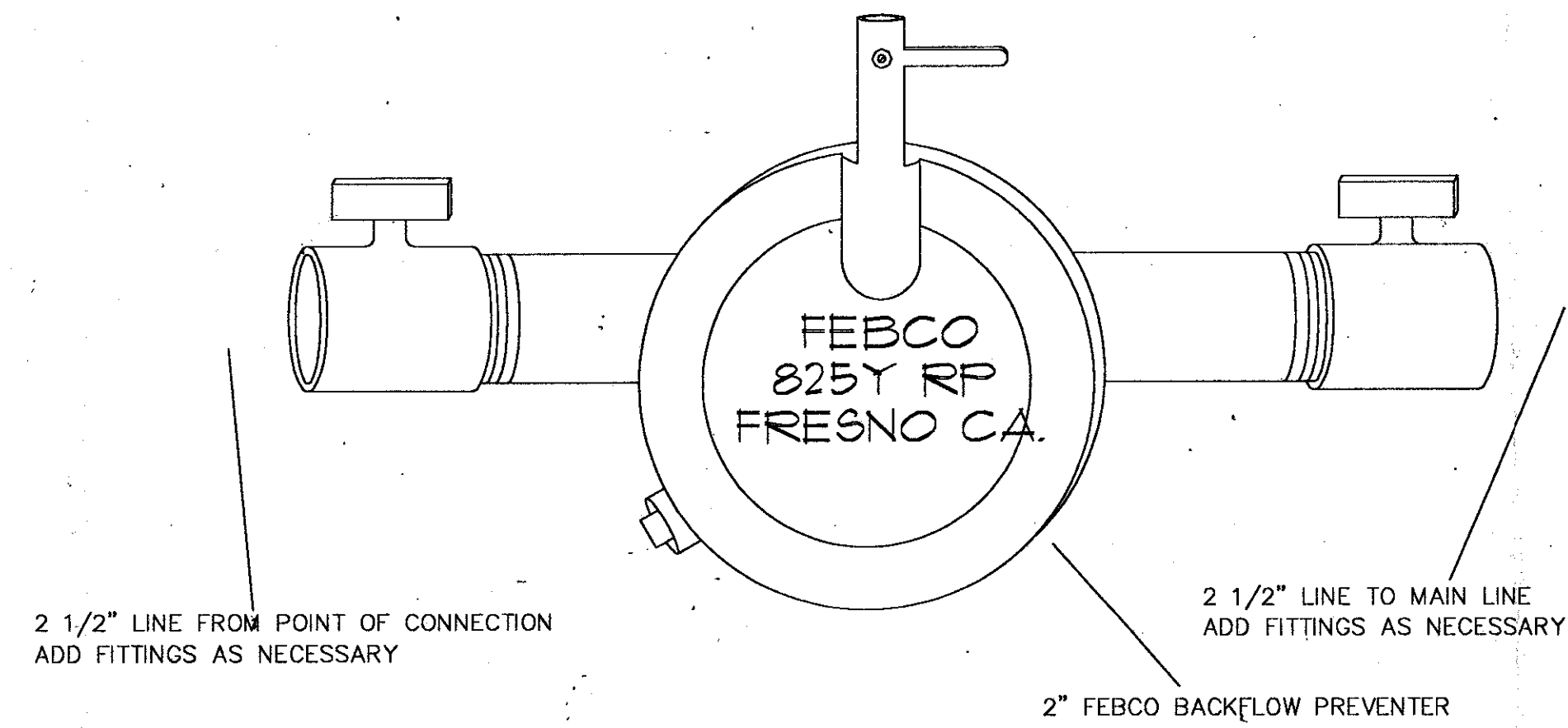
## WALL MOUNT CONTROLLER N.T.S.



## VALVE MOUNTING N.T.S.



## RP BFP INSTALLATION N.T.S.



NOTE: INSTALL ABOVE GROUND IF NECESSARY.  
INSTALL IN VALVE BOX IF UNDERGROUND.

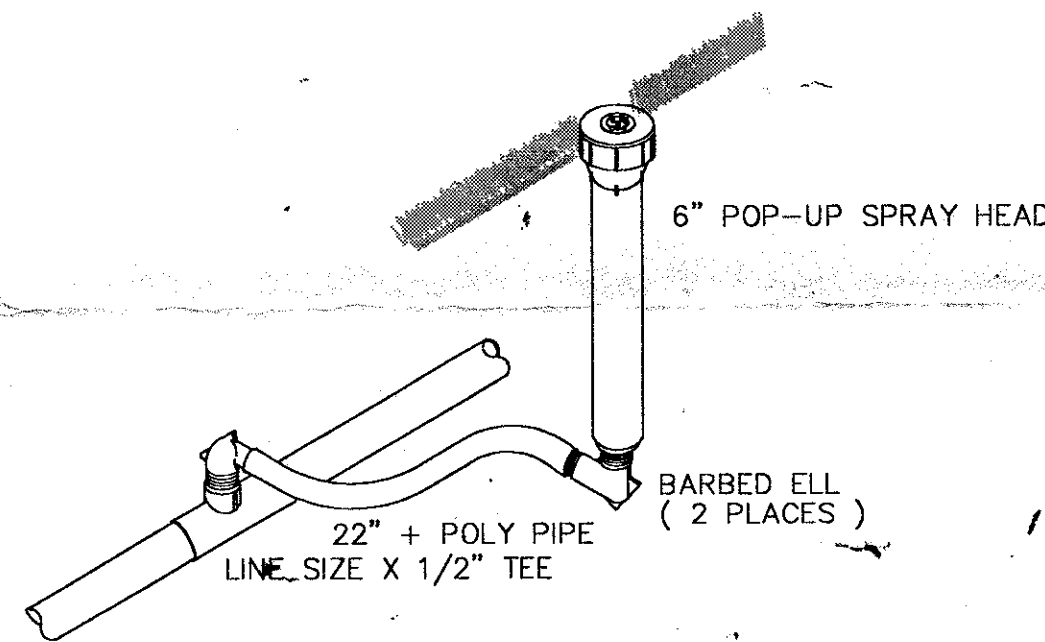
**OWNER:**  
OTTO B DIVOSTA AND BETTY J. DIVOSTA PARTNERSHIP  
4500 P.G.A. BLVD., SUITE 400  
PALM BEACH GARDENS, FLORIDA 33418  
407-627-2112

**DEVELOPER:**  
R. MASON SIMPSON  
LANDCLIFFE DEVELOPMENT COMPANY  
25 SADDLEBACK ROAD  
TEQUESTA, FLORIDA 33469  
407-744-2000

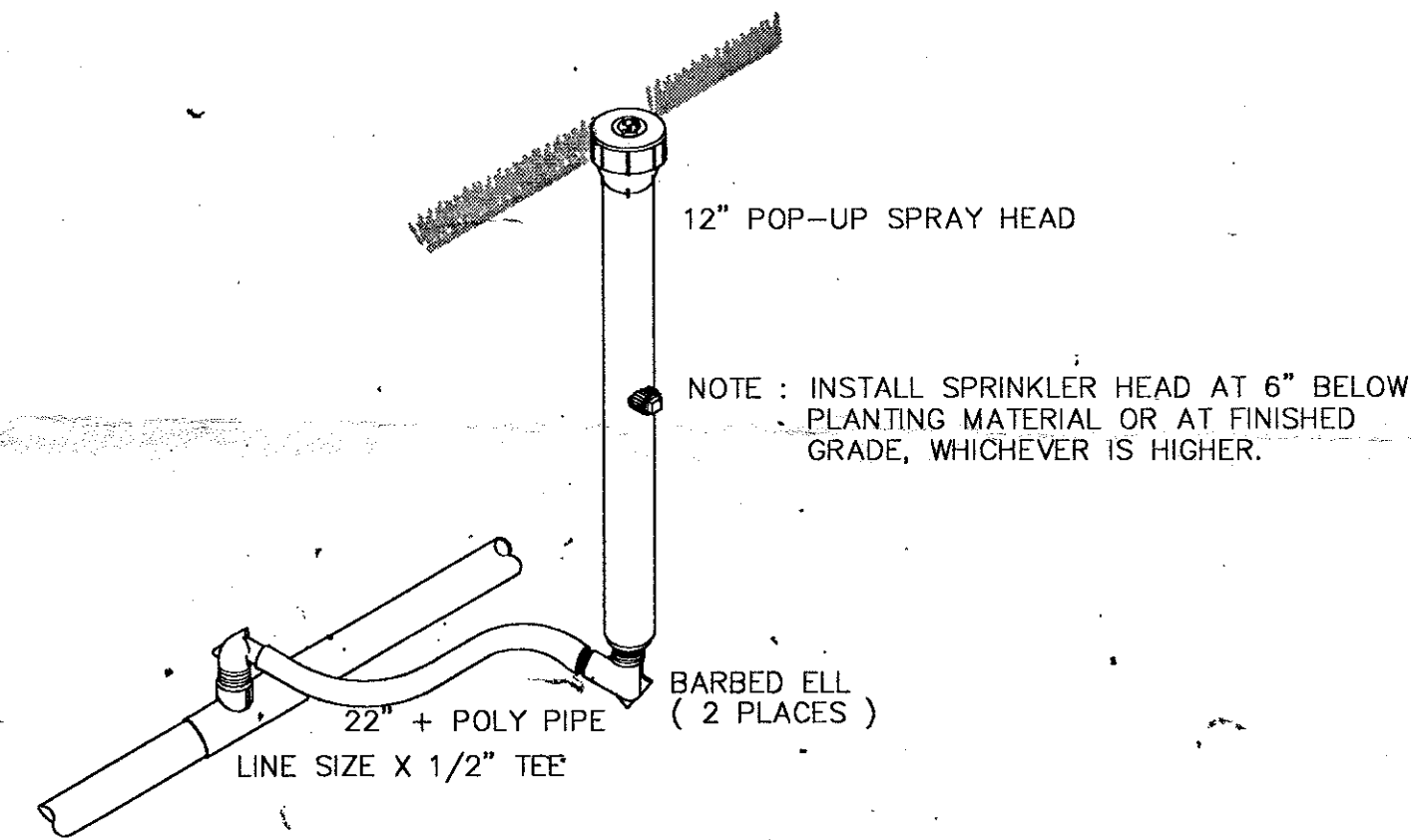
**PLANNER/LANDSCAPE ARCHITECT:**  
JOHN R. AREND  
THE EVANS GROUP  
1030 NORTH ORANGE AVE., SUITE 200  
ORLANDO, FLORIDA 32801  
407-849-5310

**ENGINEER:**  
MICHAEL B. SCHORAH P.E.  
MICHAEL B. SCHORAH & ASSOCIATES, INC.  
1850 FOREST HILL BLVD.  
WEST PALM BEACH, FLORIDA 33406  
407-968-0090

## 6" POP-UP INSTALLATION N.T.S.



## 12" POP-UP INSTALLATION N.T.S.



## GENERAL NOTES

INSTALL THE SYSTEM IN ACCORDANCE WITH MANUFACTURERS' RECOMMENDATIONS & ALL APPLICABLE BUILDING CODES.

ANY MAIN LINE, VALVES, OR OTHER MATERIALS NOT NORMALLY INSTALLED INSIDE OF PLANTING AREAS THAT ARE SHOWN OUTSIDE OF PLANTING AREAS IS FOR GRAPHIC CLARITY ONLY. INSTALL IN PLANTING AREAS WHEREVER POSSIBLE.

INSTALL ALL UNMARKED ZONE PIPE AS 1/2" CL 315 PVC.

DESIGN IS BASED ON AN AVAILABILITY OF 85 GPM @ 75 PSI AT THE POINT OF CONNECTION. VERIFY WATER AVAILABILITY BEFORE INSTALLING THE SYSTEM.

THE DESIGN IS SCHEMATIC. ADJUST IN THE FIELD FOR ACTUAL CONDITIONS.

INSTALL ALL SPRINKLERS AT LEAST 6" AWAY FROM ANY SIDEWALKS OR PAVEMENT.

INSTALL ALL SPRINKLERS ALONG THE HIGHWAY 18 TO 24" FROM THE EDGE OF PAVEMENT.

SEAL BOTH ENDS OF THE WIRING SLEEVE UNDER THE HIGHWAY WITH ELECTRICIANS PUTTY AFTER THE WIRES ARE INSTALLED IN THE SLEEVE.

COORDINATE THE INSTALLATION OF THE SYSTEM WITH THE LANDSCAPE CONTRACTOR AND ANY OTHER CONTRACTORS TO ASSURE PROPER SYSTEM INSTALLATION.

PROGRAM THE ROTOR ZONES TO OPERATE FOR 50 MINUTES AND THE SPRAY ZONES TO OPERATE FOR 15 MINUTES EVERY OTHER DAY TO PROVIDE 1 1/2" OF IRRIGATION PER WEEK.

GROUND THE CONTROLLERS TO A GROUNDING ELEMENT WITH A RESISTANCE TO GROUND OF NOT MORE THAN 10 OHMS AS MEASURED USING A "MEGGAR" OR "VIBRAGROUND" UNIT.

THE IRRIGATION DESIGN IS PROVIDED AS A GUIDELINE ONLY. THE CONTRACTOR IS RESPONSIBLE FOR PROVIDING AN IRRIGATION SYSTEM WHICH PROVIDES FULL COVERAGE OF ALL PLANTED MATERIALS.

BID AS AN ALTERNATE BID:

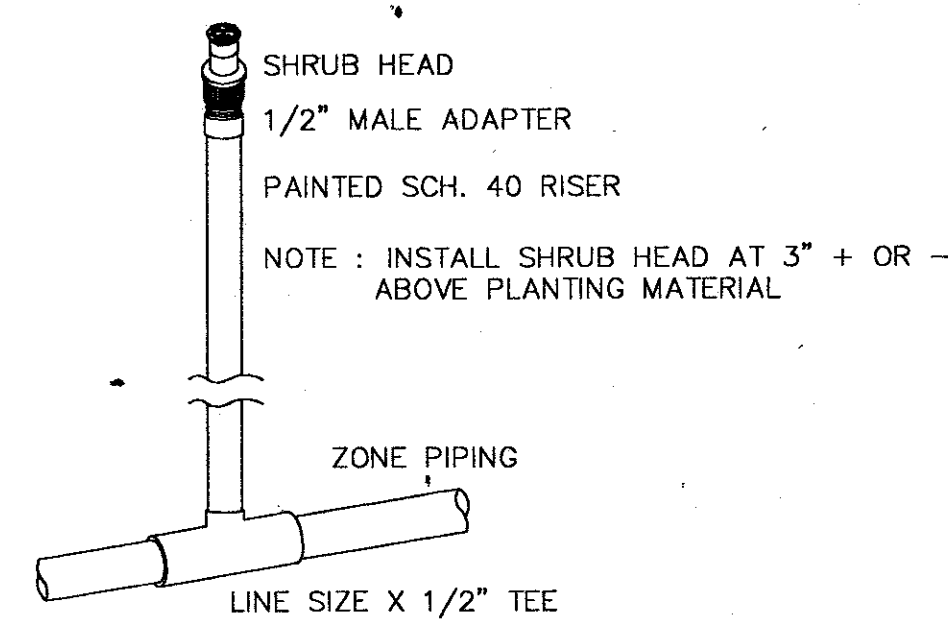
INSTALLATION OF 2 1/2" MAIN LINE FROM THE POINT OF CONNECTION ACROSS THE HIGHWAY THROUGH THE DRAINAGE CONDUIT AND CONNECT TO THE ZONES ON THE WEST SIDE OF THE HIGHWAY IN LIEU OF A POINT OF CONNECTION ON THE WEST SIDE OF THE HIGHWAY.

REFER TO THE SPECIFICATIONS FOR FURTHER INFORMATION.

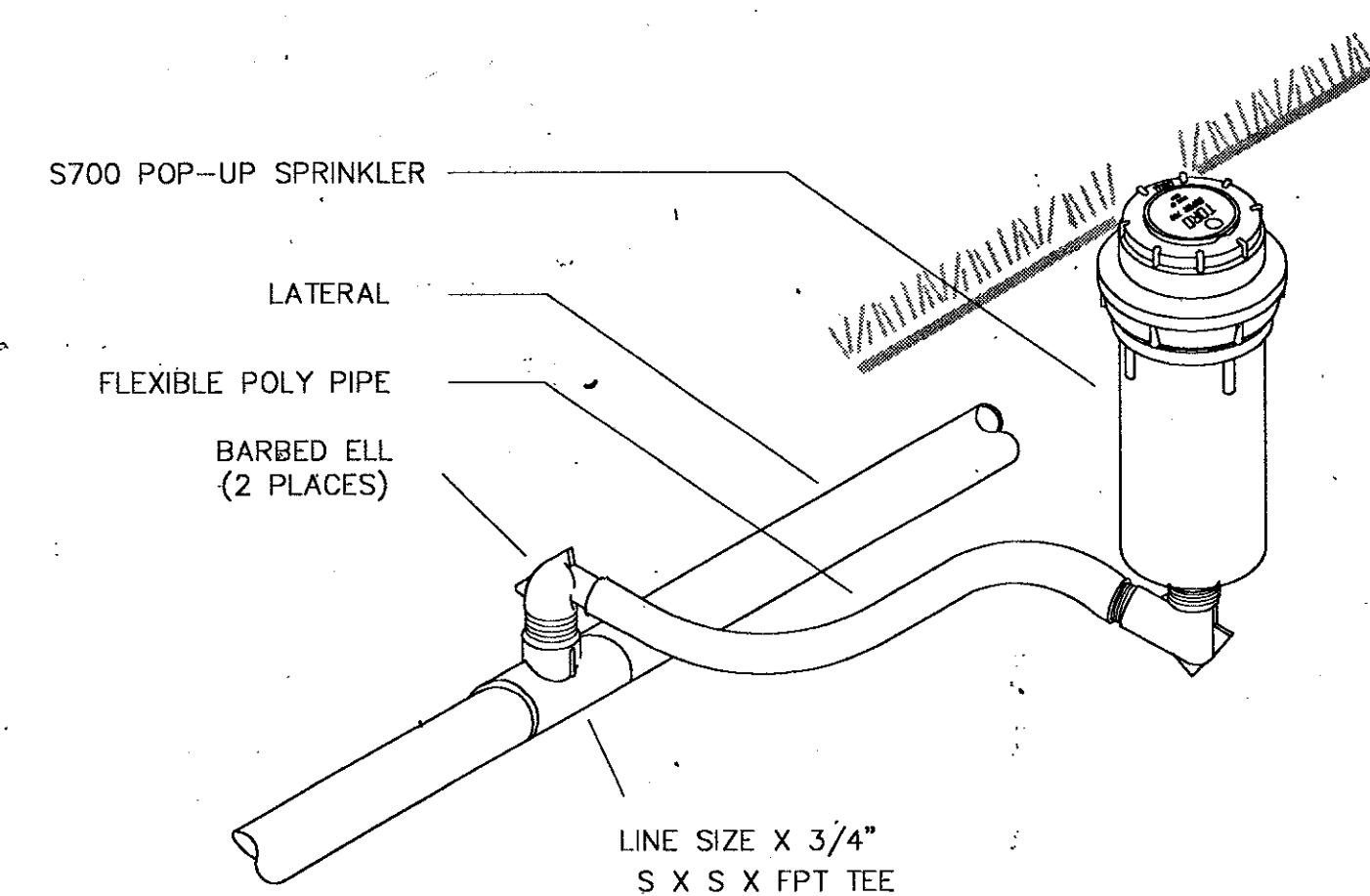
## LEGEND

SYMBOL	DESCRIPTION
■	POINT OF CONNECTION
□	TORO #116-06-03 LTC CONTROLLER
⊕	TORO #216-26-08 2" ELECTRIC VALVE
⊙	TORO #S700PC3.0 PART CIRCLE GEAR-DRIVEN ROTARY SPRINKLER
○	TORO #S600PC1.5 PART CIRCLE GEAR-DRIVEN ROTARY SPRINKLER
●	TORO #S600FC6.0 FULL CIRCLE GEAR-DRIVEN ROTARY SPRINKLER
◦	TORO 570C-4P POP-UP SPRAY HEAD WITH FB-50-PC NOZZLE
◦	TORO 570C-6P POP-UP SPRAY HEAD WITH 15-H NOZZLE
■	TORO 570C-6P POP-UP SPRAY HEAD WITH 15-F NOZZLE
□	TORO 570G-6P POP-UP SPRAY HEAD (NOZZLE AS SHOWN)
◦	TORO 570C-12P HI-POP SPRAY HEAD WITH 15-H NOZZLE
◦	TORO 570C-12P HI-POP SPRAY HEAD WITH 15-F NOZZLE
○	TORO 570C-12P HI-POP SPRAY HEAD (NOZZLE AS SHOWN)
-----	MAIN LINE
-----	ZONE PIPING
-----	SLEEVE LOCATION

## SHRUB HEAD INSTALLATION N.T.S.



## GEAR-DRIVEN ROTOR INSTALLATION N.T.S.



## IRRIGATION DETAILS

12.23.92

SHEET  
5  
OF 6

**ENVIROSCAPE**  
LAND PLANNING & LANDSCAPE ARCHITECTURE  
A DIVISION OF THE EVANS GROUP

1030 N. ORANGE AVE., SUITE 200  
ORLANDO, FLORIDA 32801  
407-849-5310  
FAX 407-849-3029

ur0335.igr  
JUPITER NORTH 10/40/43 PGS